

**ILLUSTRATED**

QM441841 Chester Tumbler & Holder

**CONFIGURATIONS**

**MATERIAL**

Zinc Die cast  
Clear Glass

**COLOURS**

High Polish Chrome Plate

**WEIGHT**

N/A

**PACKAGING**

N/A

**FREQUENTLY USED APPLICATIONS**

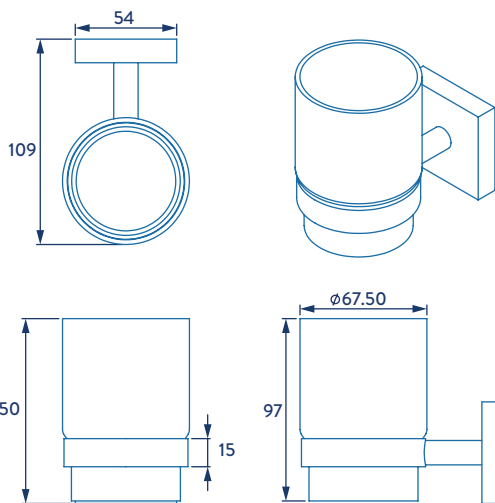
Residential  
Hotels

**FEATURES**

Durable zinc alloy construction.  
High quality chrome plated finish.  
Glue or screw fix Flexi-Fix™ mounting system.  
All fixings included.

**CARE AND MAINTENANCE**

Clean surfaces with a damp cloth and wipe dry using a soft cloth.  
Do not use chemical or abrasive cleaners as these may damage the surface finish.



Dimensions: H98.50mm x W67.50mm x D109mm

**GUARANTEE**

Consumer Statutory Rights Apply

Tel: +44 (0) 1264 365881  
Fax: +44 (0) 1264 356437  
Email: [info@croydex.co.uk](mailto:info@croydex.co.uk)  
Web: [www.croydex.com](http://www.croydex.com)

Printed material, designs and packaging are protected by copyright and design right.

Date Created:17/05/17 | REV 001