



**MATERIAL**

Zinc Die cast

**COLOURS**

High Polish Chrome Plate

**WEIGHT**

310g

**PACKAGING**

Full colour closed box E-flute

**FREQUENTLY USED APPLICATIONS**

Residential

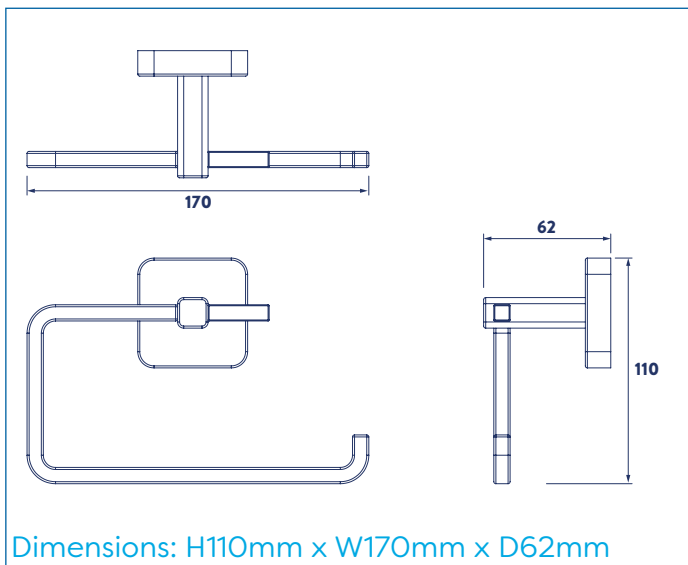
Hotels

**FEATURES**

Durable zinc alloy construction.  
High quality chrome plated finish.  
Glue or screw fix Flexi-Fix™ mounting system.  
All fixings included.

**CARE AND MAINTENANCE**

Clean surfaces with a damp cloth and wipe dry using a soft cloth.  
Do not use chemical or abrasive cleaners as these may damage the surface finish.



Dimensions: H110mm x W170mm x D62mm

**GUARANTEE**

Consumer Statutory Rights Apply